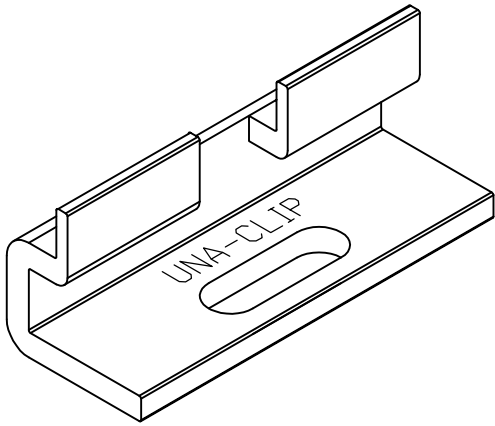


- 1 FASTENING JOINT DETAIL
- 2 NON-FASTENING JOINT DETAIL
- 3 INSIDE CORNER DETAIL @ MASONRY
- 4 COPING DETAIL
- 5 OUTSIDE CORNER DETAIL
- 6 SOFFIT DETAIL
- 7 WINDOW JAMB DETAIL
- 8 WINDOW HEAD DETAIL
- 9 WINDOW SILL DETAIL
- 10 BASE DETAIL
- 11 INSIDE CORNER DETAIL

# SERIES 1000UC - FASTENING JOINT DETAIL

S1000UC-01



SERIES 1000UC  
COMPOSITE PANEL SYSTEM

.500  
[12.70]  
MINIMUM

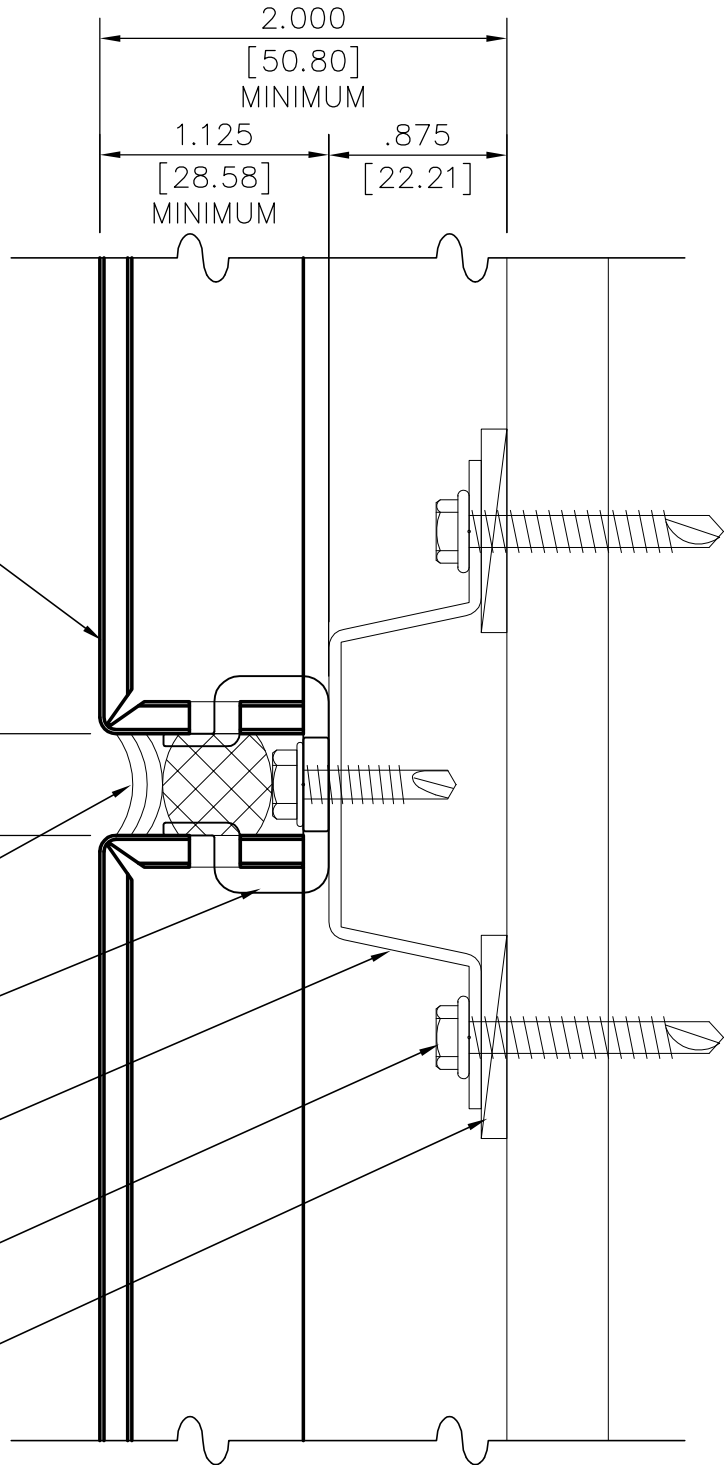
BACKER ROD & SEALANT  
(N.B.F.S.M.P.)

STAGGERED UNA-CLIP,  
FIELD ATTACHED

3/4" SUBGIRT (N.B.F.S.M.P.)  
(OPTIONAL)

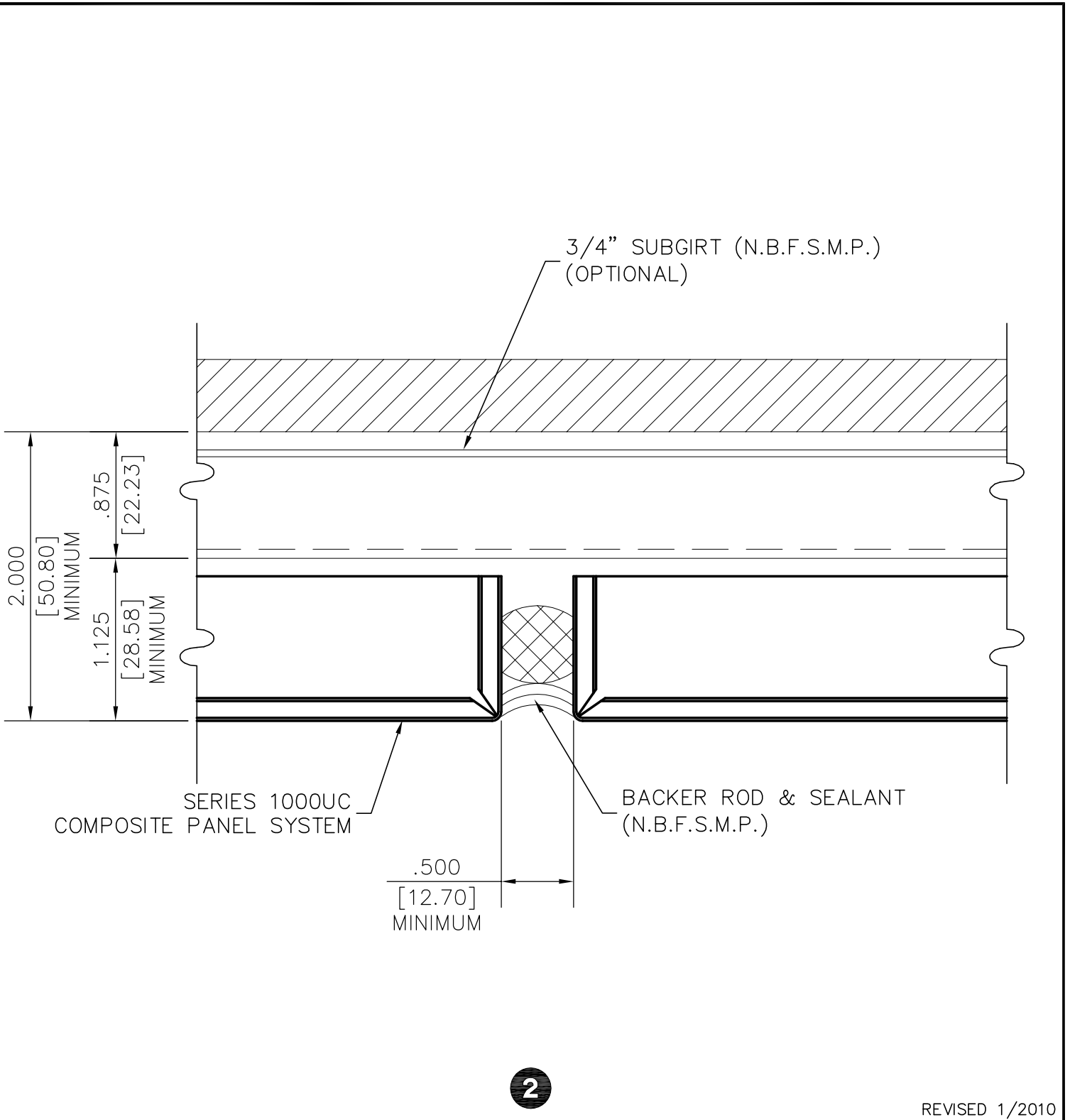
FASTENERS (N.B.F.S.M.P.)

ISOLATOR SHIMS (N.B.F.S.M.P.)



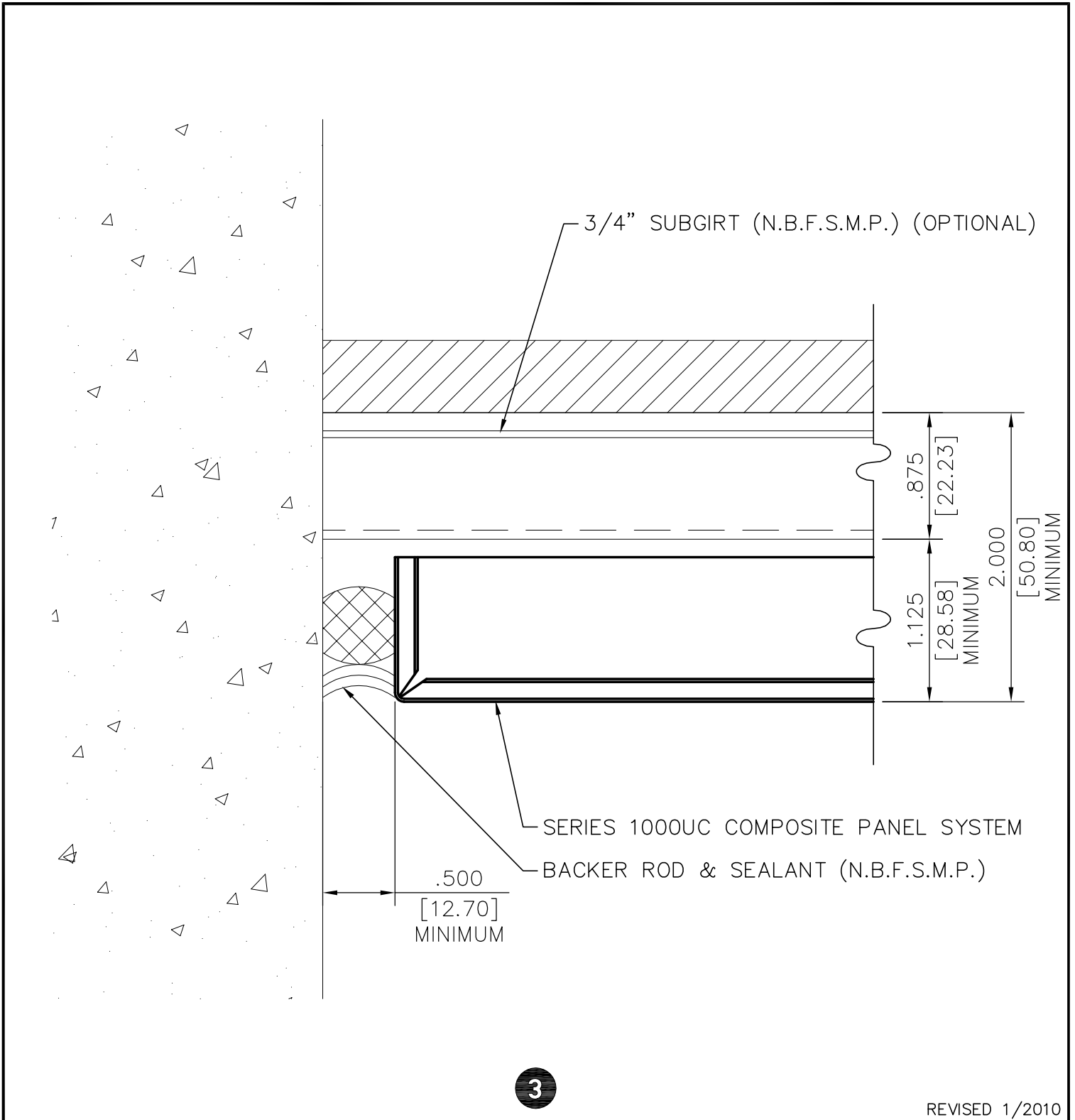
REVISED 1/2010

**SERIES 1000UC - NON-FASTENING JOINT DETAIL S1000UC-02**



**SERIES 1000UC - INSIDE CORNER DETAIL**

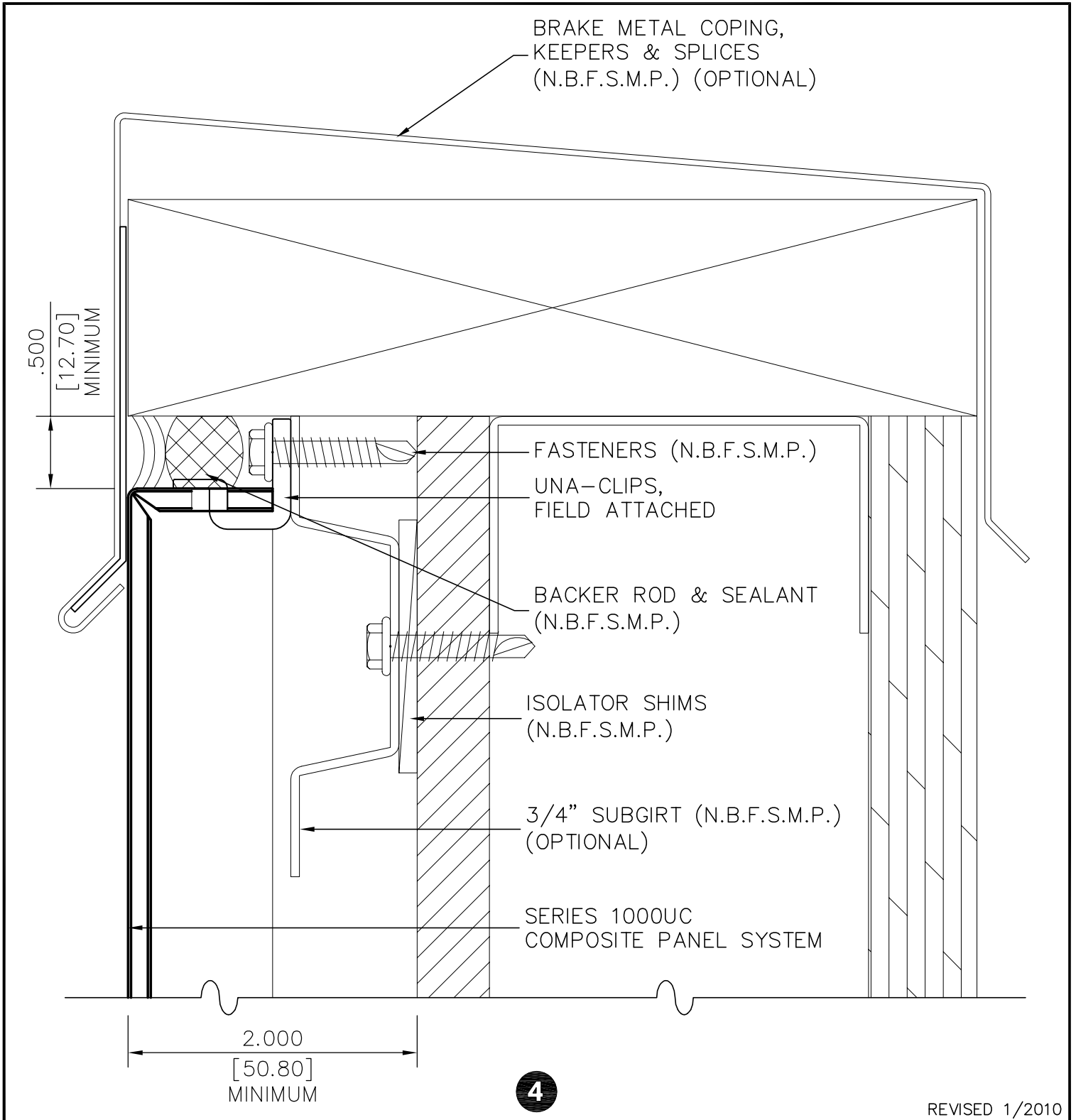
**S1000UC-03**



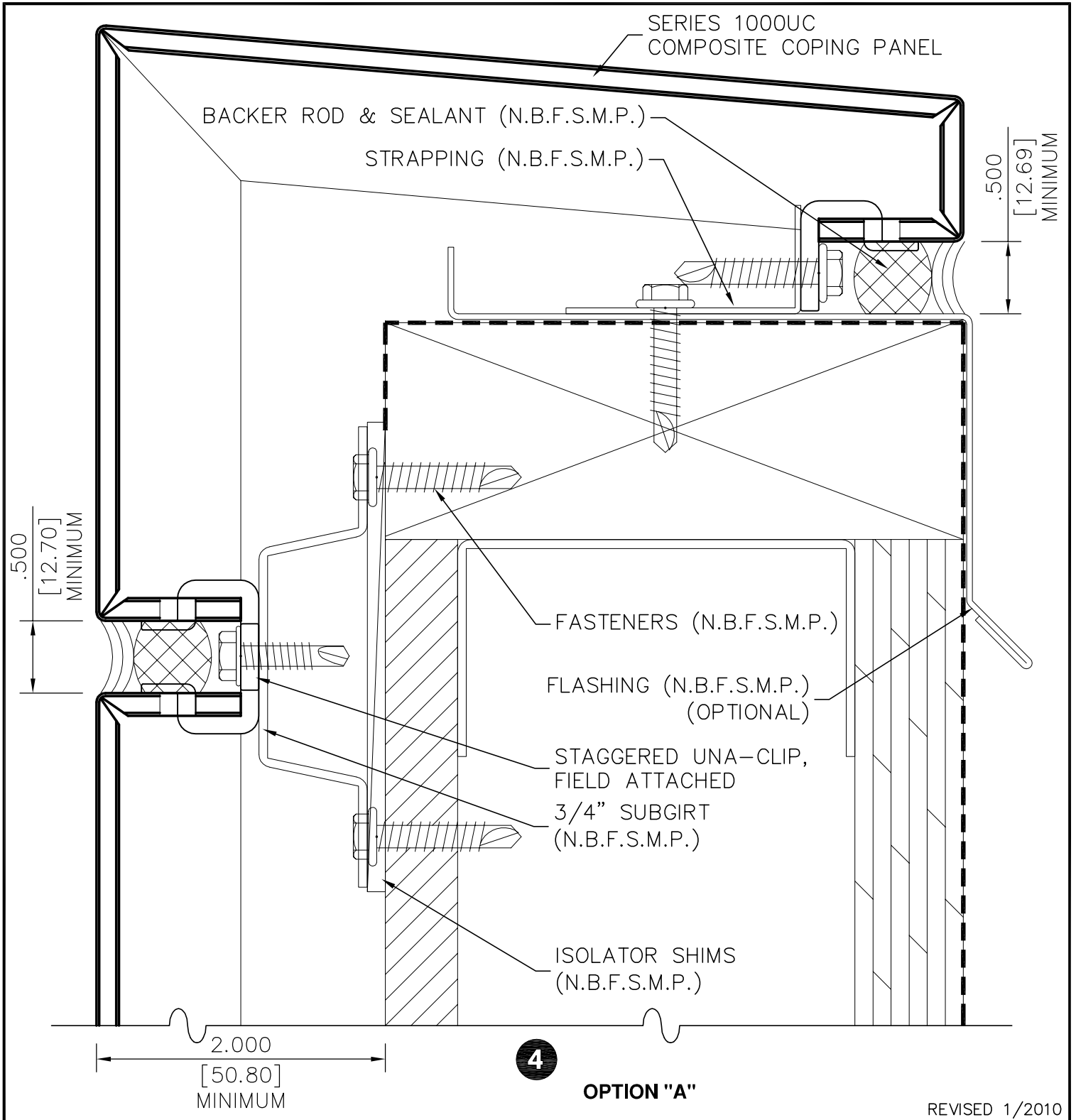
REVISED 1/2010

# SERIES 1000UC - COPING DETAIL

S1000UC-04

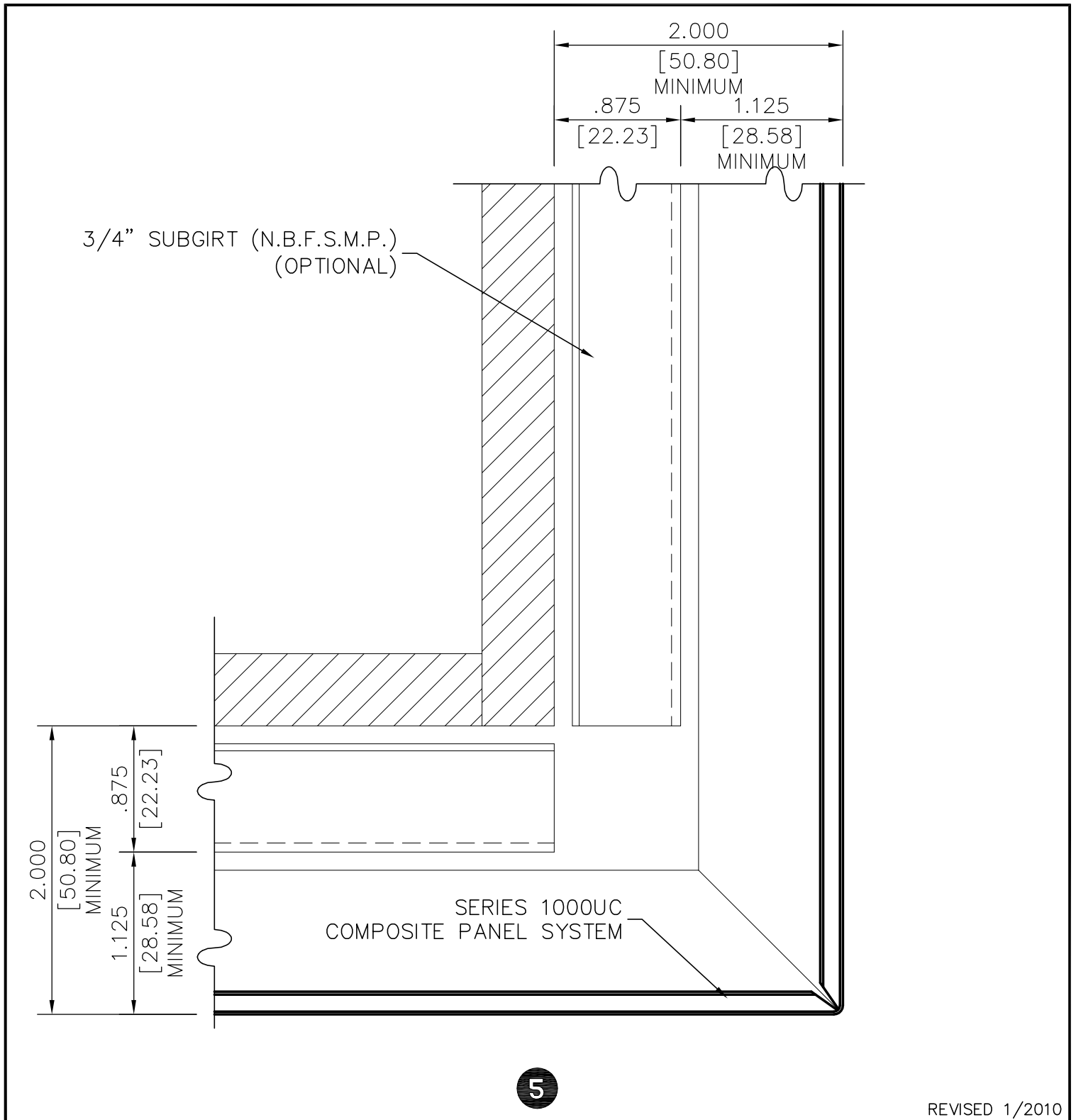


**SERIES 1000UC - COPING DETAIL (OPTION "A") S1000UC-04A**



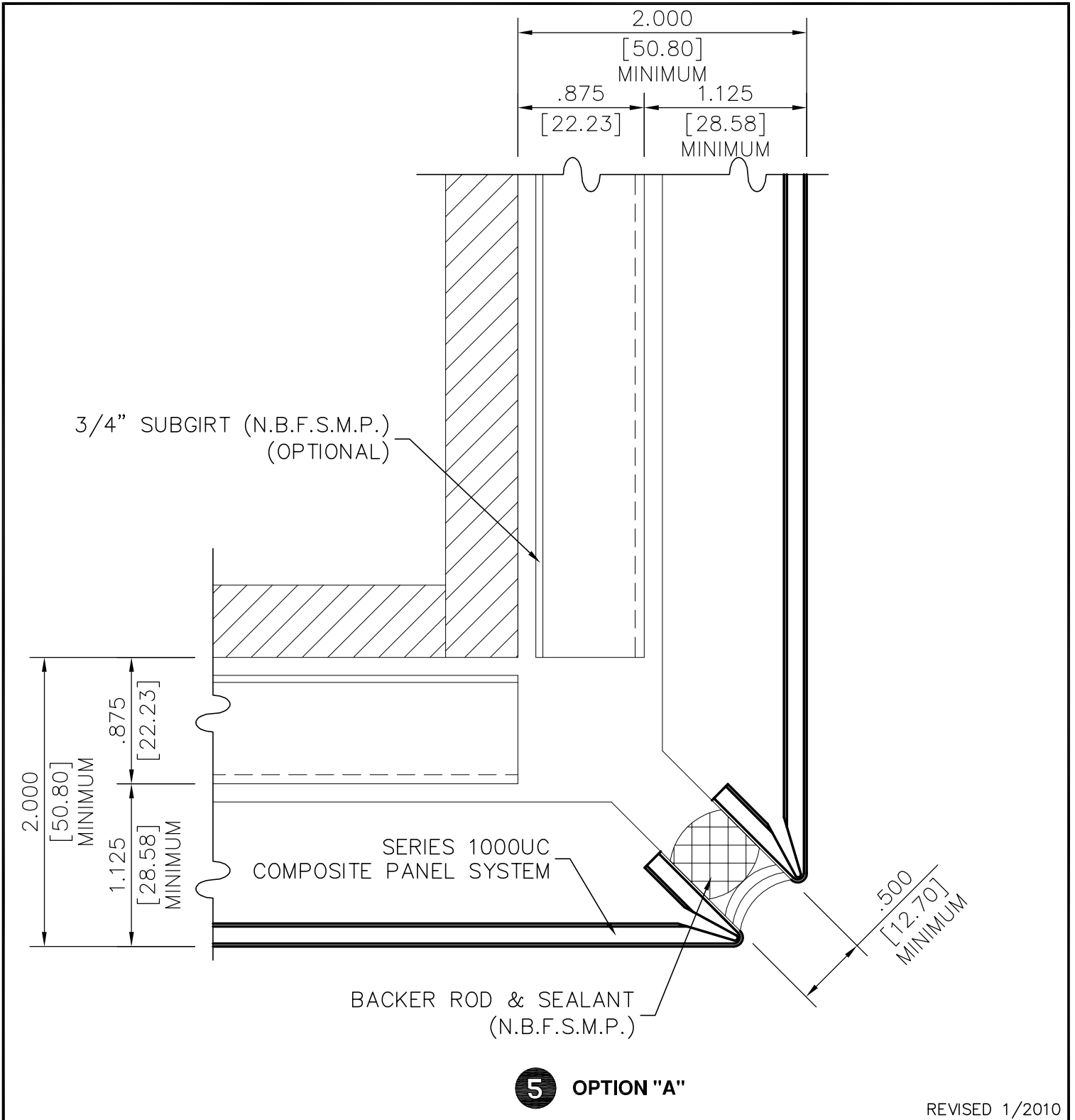
# SERIES 1000UC - OUTSIDE CORNER DETAIL

S1000UC-05



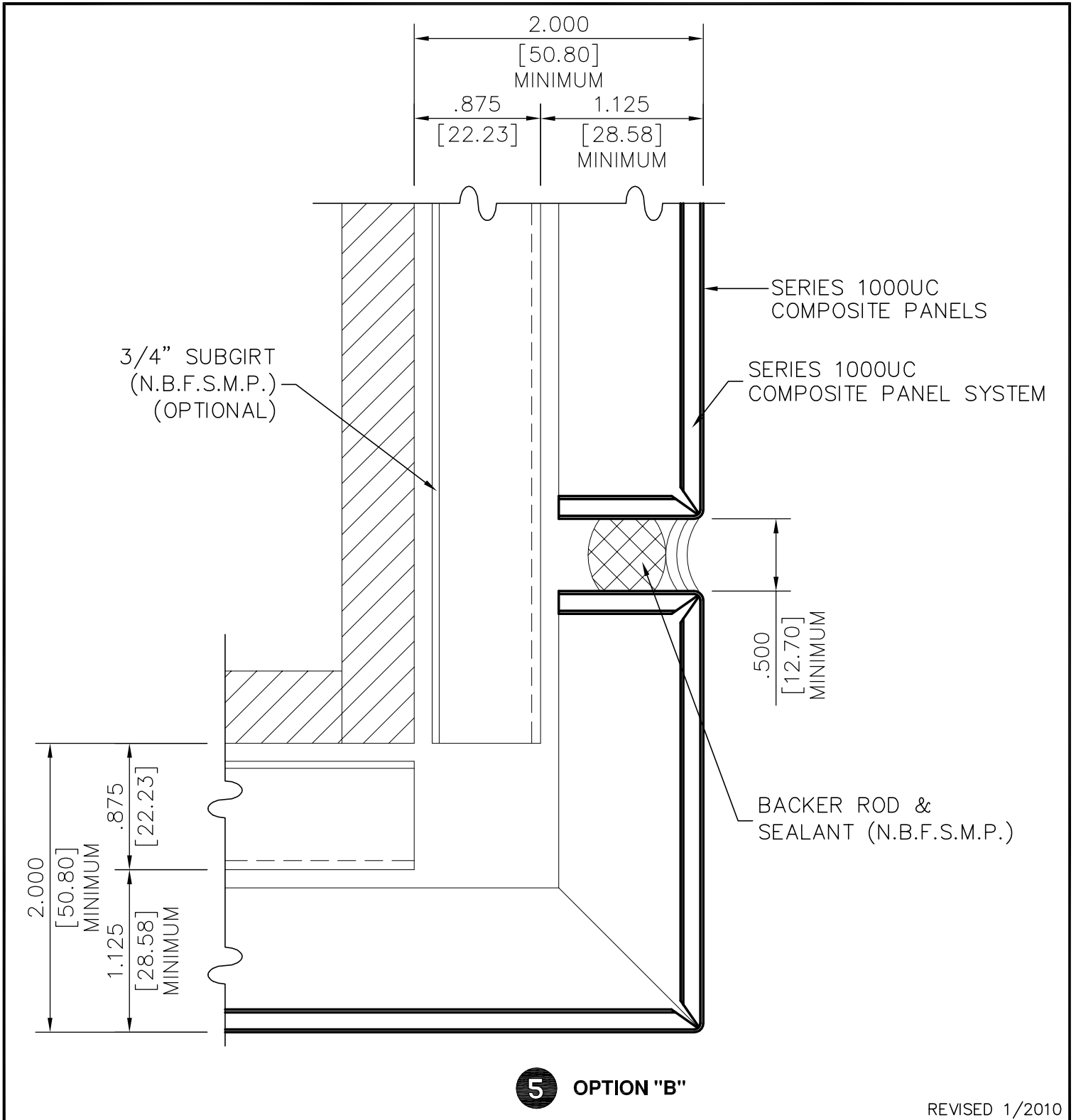
# SERIES 1000UC - MITERED CORNER DETAIL

# S1000UC-05A



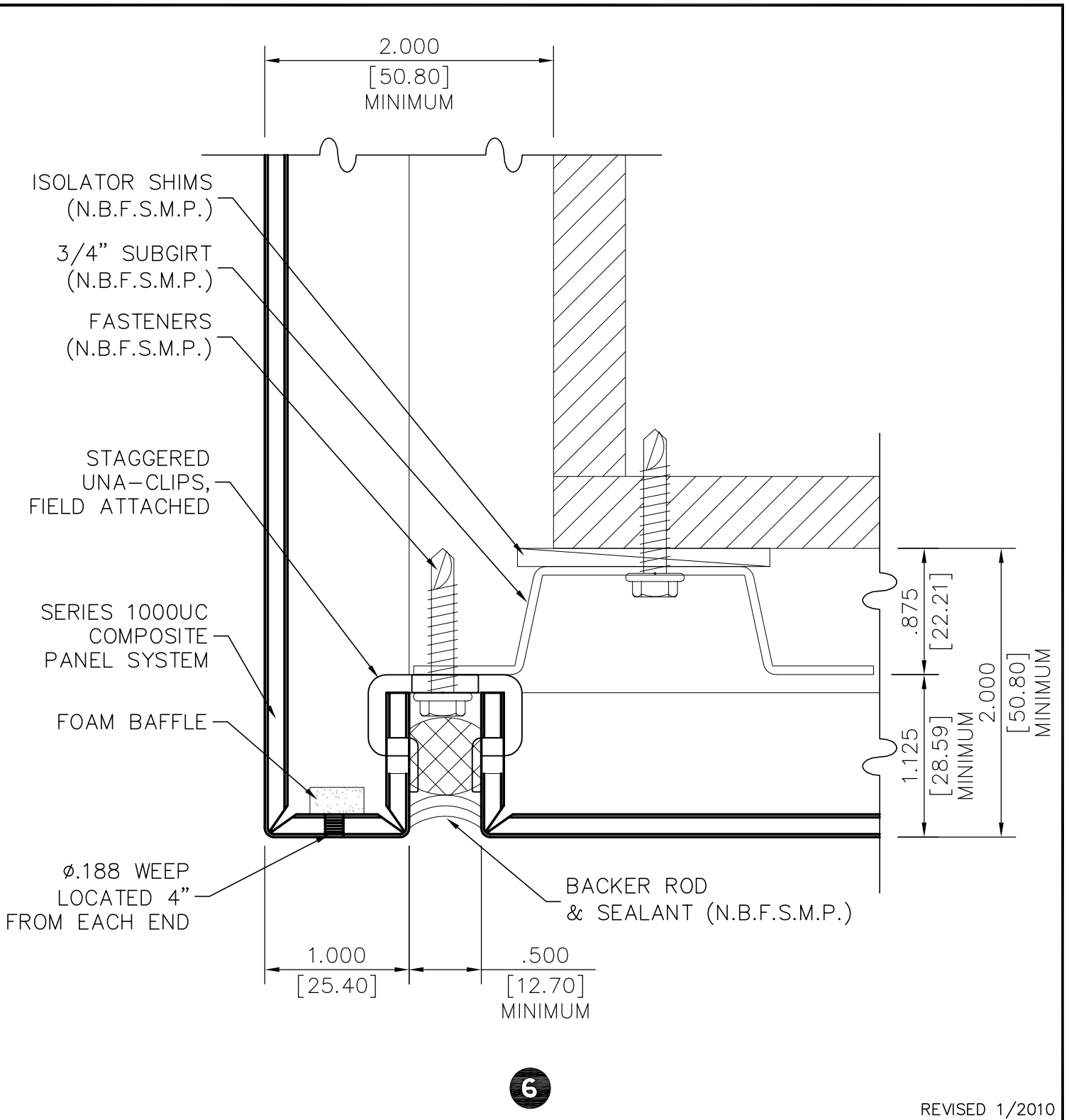
**SERIES 1000UC - OUTSIDE CORNER DETAIL**

**S1000UC-05B**



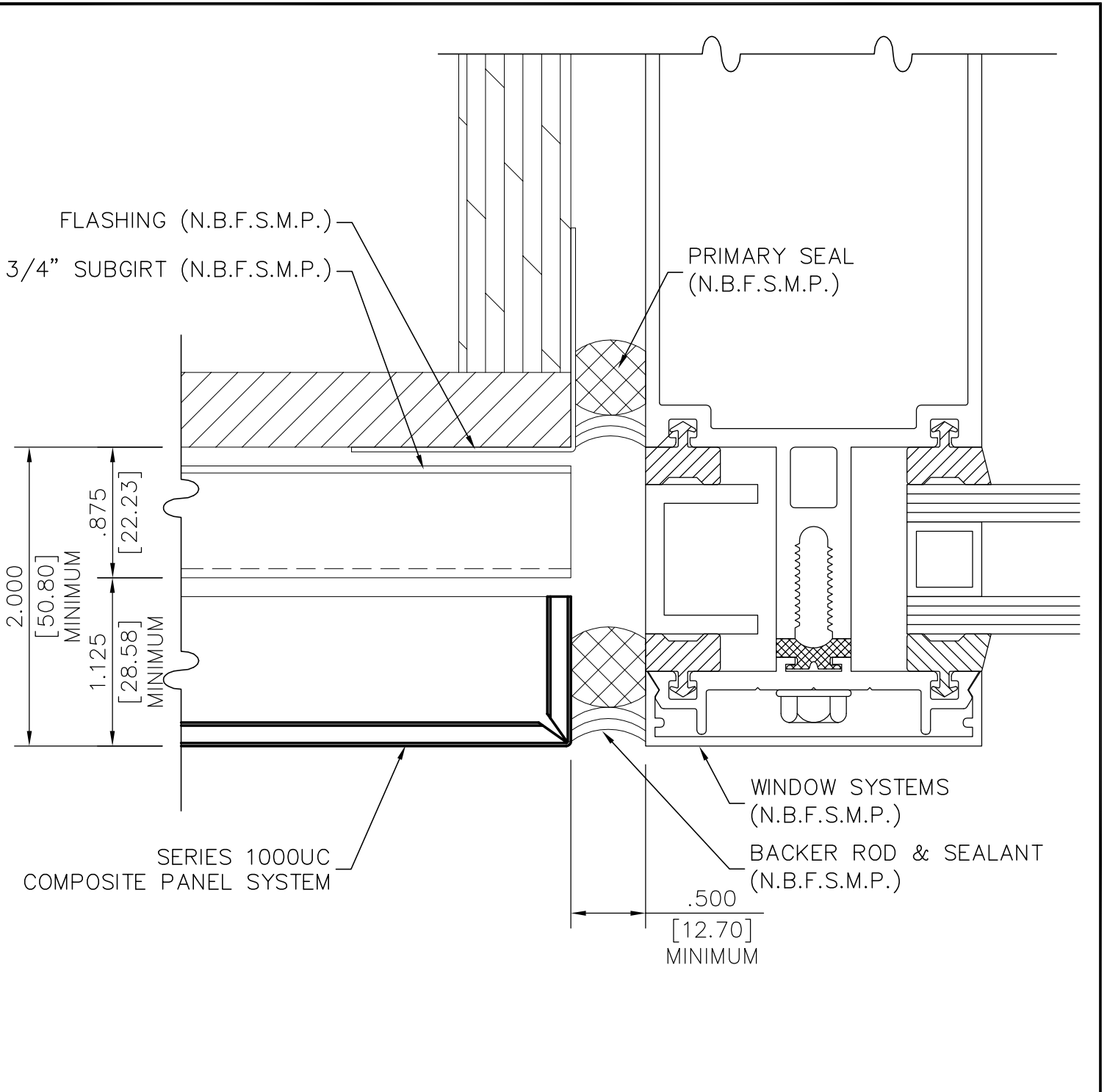
# SERIES 1000UC - SOFFIT DETAIL

S1000UC-06



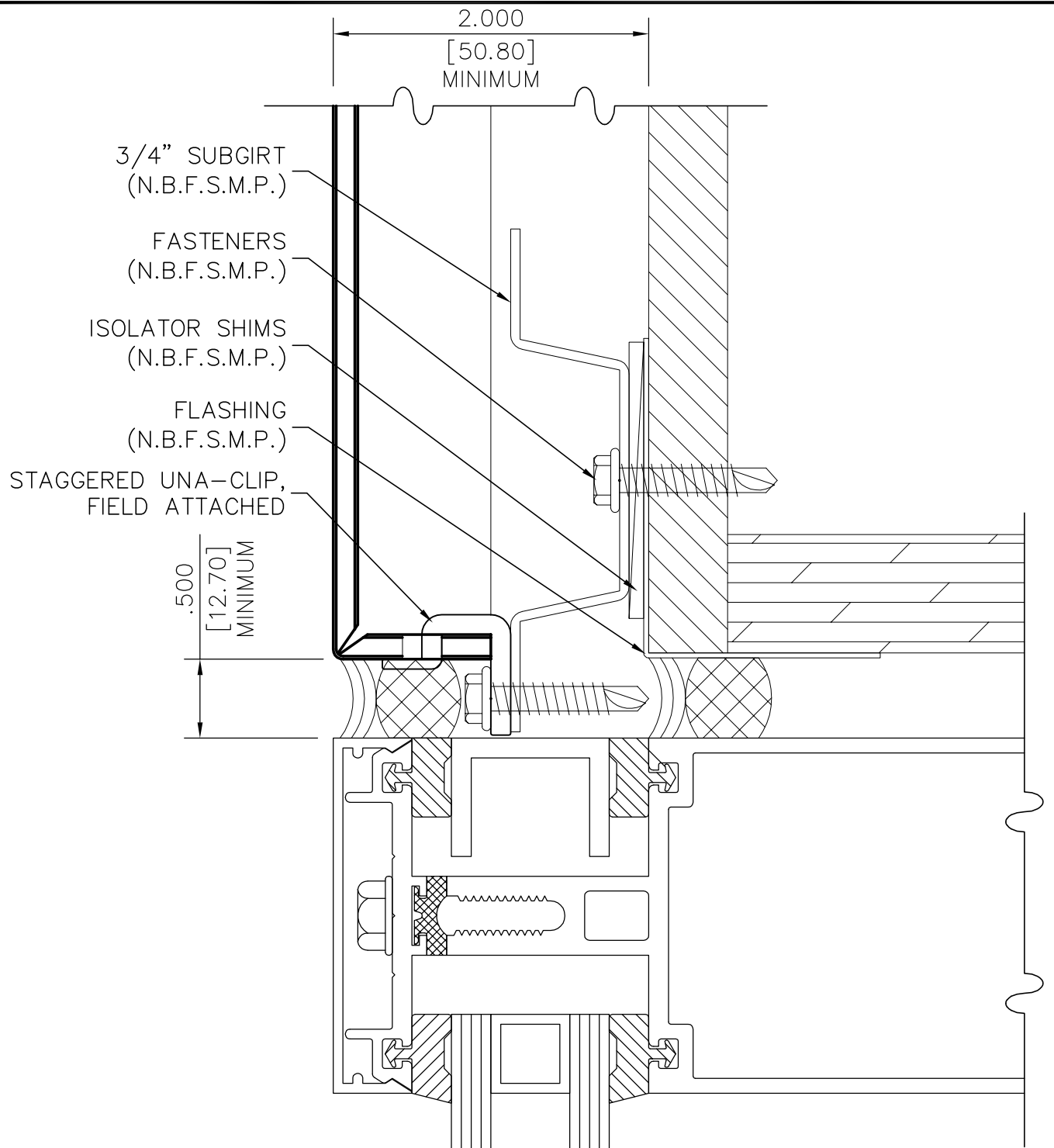
**SERIES 1000UC - WINDOW JAMB DETAIL**

**S1000UC-07**



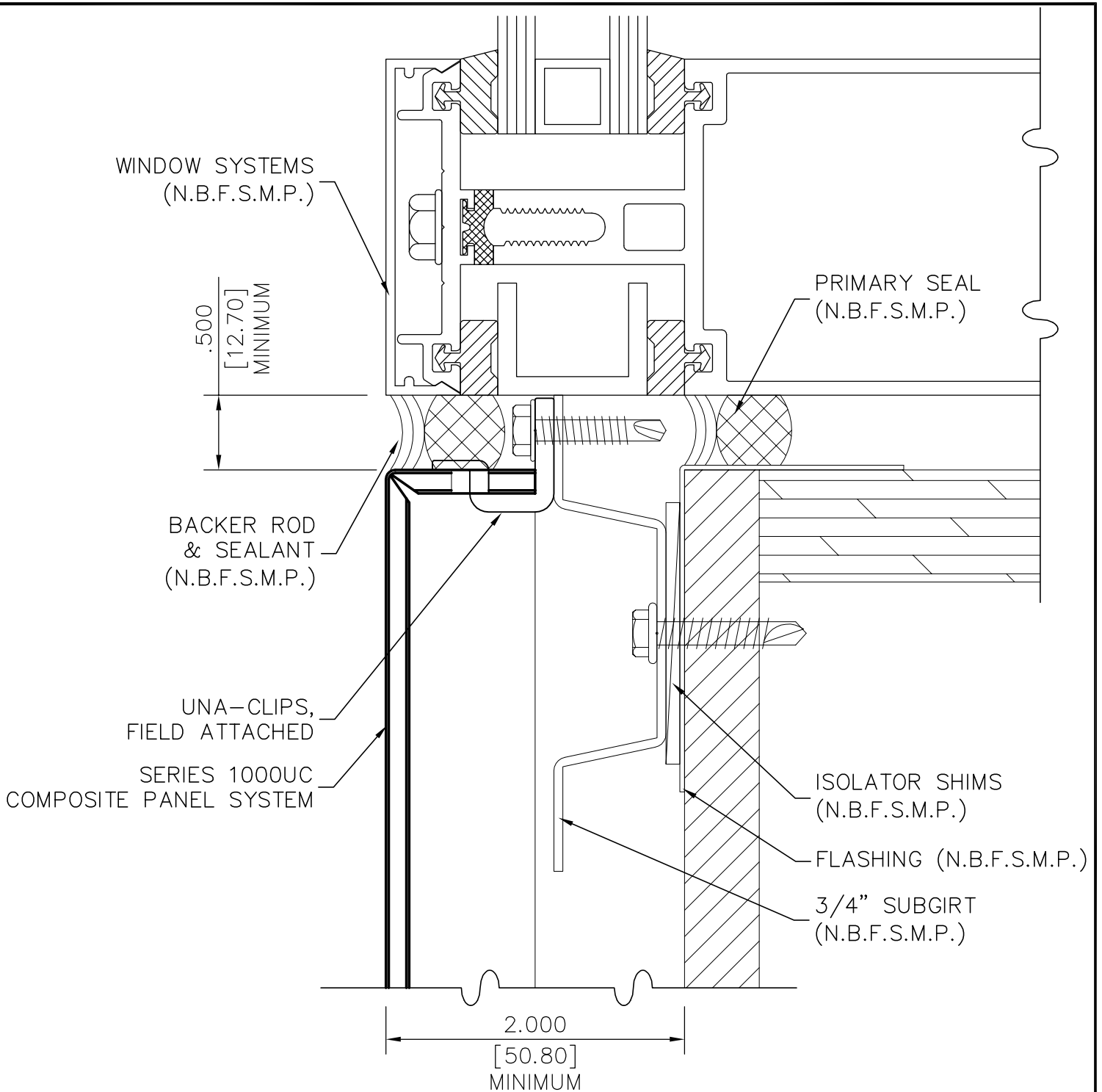
# SERIES 1000UC - WINDOW HEAD DETAIL

S1000UC-08



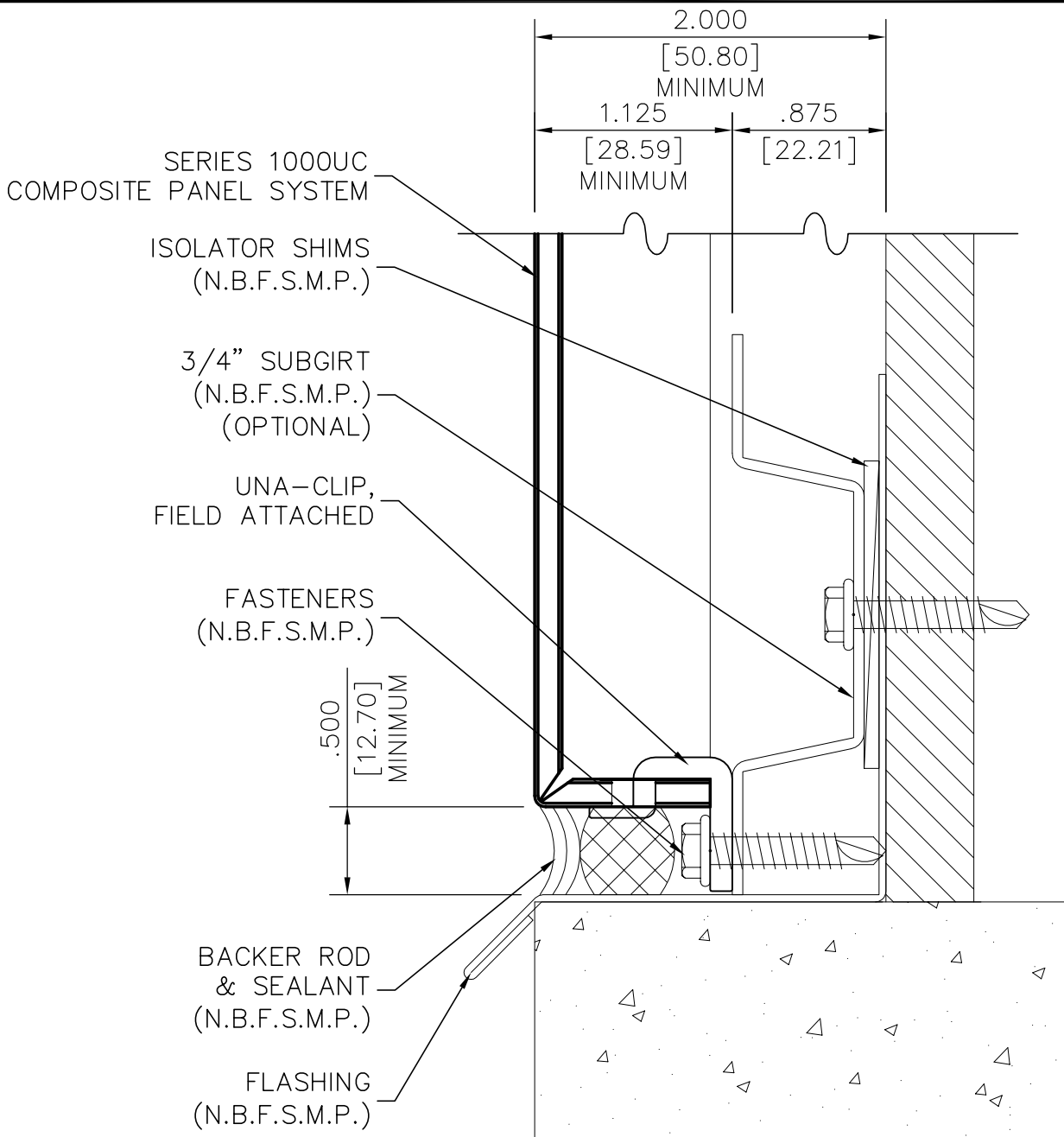
**SERIES 1000UC - WINDOW SILL DETAIL**

**S1000UC-09**



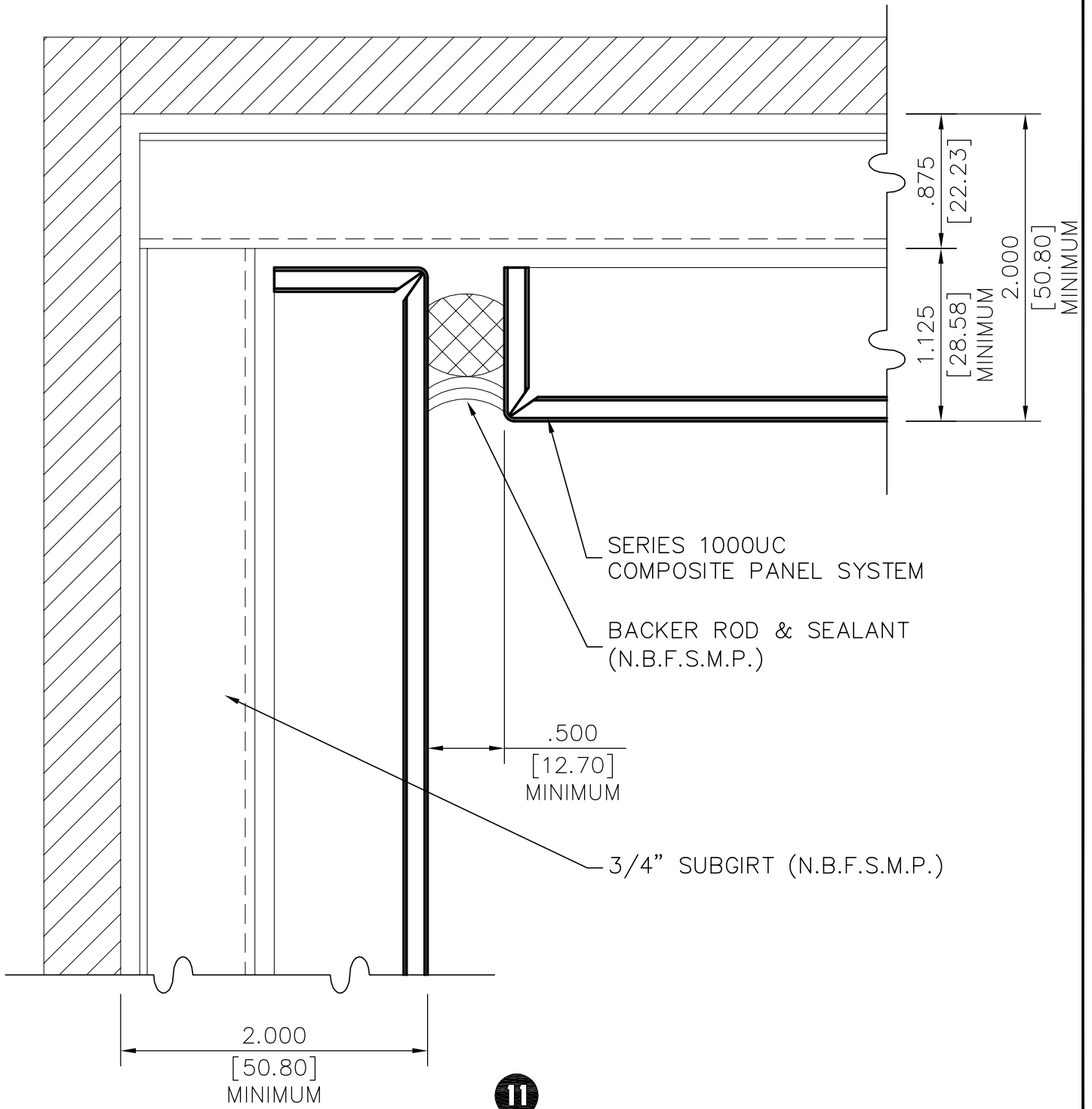
# SERIES 1000UC - BASE DETAIL

S1000UC-10



**SERIES 1000UC -INSIDE CORNER DETAIL**

**S1000UC-11**



# SERIES 1000UC - MITERED CORNER DETAIL

# S1000UC-11A

