

**ISSUE / REVISION**

**FIXED HEADWALL**

**WITH Z-CLOSURE AT REGLET**

ACCEPTABLE SYSTEMS: NV 1.5" & NV 2" STANDING SEAM

CONTINUOUS BEAD OF AP SEALANT  
OR URETHANE SEALANT

APPROPRIATE NU-VUE FASTENER  
12" (304.8mm) O.C. MAX.

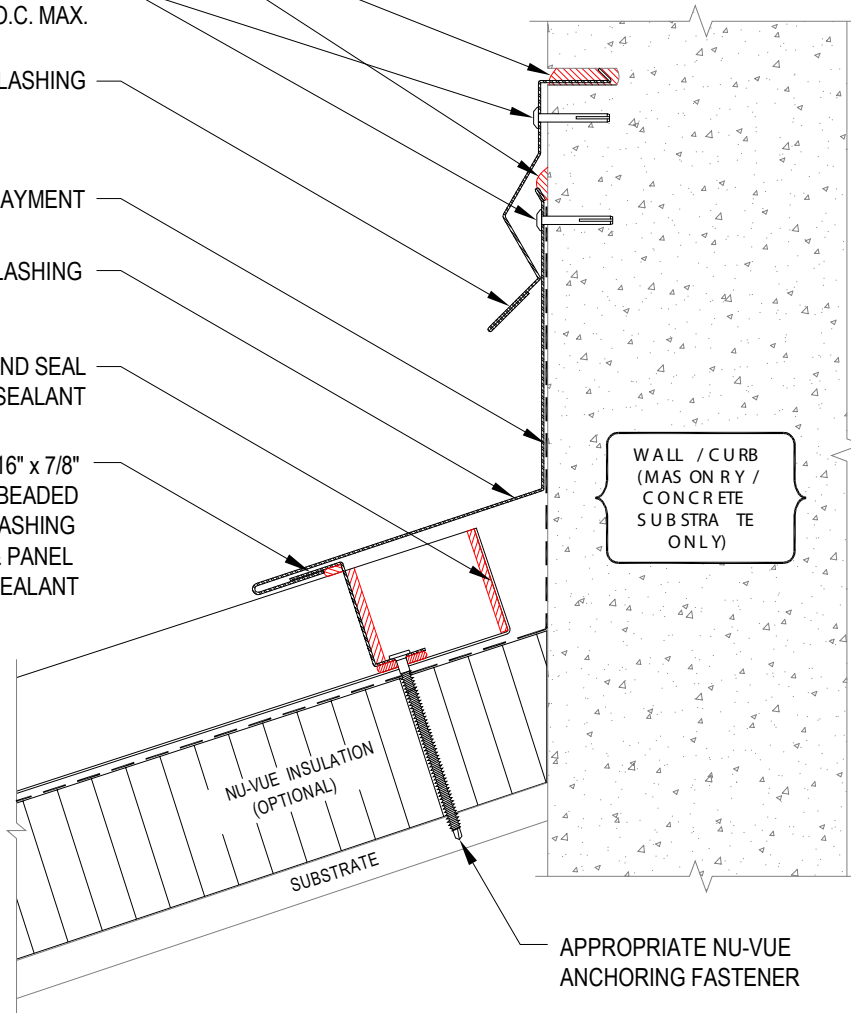
REGLET COUNTER FLASHING

NU-VUE APPROVED UNDERLAYMENT

HEADWALL FLASHING

TURN UP LEG AND SEAL  
w/ URETHANE SEALANT

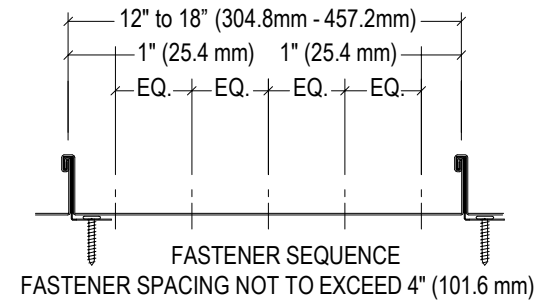
ZEE CLOSURE SET IN 3/16" x 7/8"  
(4.8 mm x 63.5 mm) DOUBLE BEADED  
BUTYL TAPE, FILL HEM OF FLASHING  
AND SPACE BETWEEN ZEE & PANEL  
SEAM w/ URETHANE SEALANT



WALL / CURB  
(MASONRY /  
CONCRETE  
SUBSTRATE  
ONLY)

**NOTES:**

1. REFER TO NU-VUE WEBSITE FOR MOST CURRENT INFORMATION.
2. REFER TO TECHNICAL INFORMATION SHEETS FOR FASCIA SIZES, ACCESSORIES, AND FINISHES AVAILABLE.
3. REFER TO THE NU-VUE TECHNICAL DATABASE FOR FASTENER/METAL COMPATIBILITY.
4. FIELD NOTCH ZEE CLOSURES. SET ZEE CLOSURE IN BUTYL TAPE AND SEAL AROUND REMAINING EDGES OF ZEE WITH URETHANE SEALANT.
5. APPLICATION DETAILS ARE FOR ILLUSTRATION PURPOSES ONLY AND MAY NOT BE APPROPRIATE FOR ALL BUILDING DESIGNS AND CONDITIONS.



**ANCHORING FASTENER PATTERN**

MASONRY AND CONCRETE  
WALLS / CURBS MUST BE  
WATERPROOFED AND  
MAINTAINED IN ORDER  
FOR ANY SURFACE  
MOUNTED TERMINATION  
TO BE EFFECTIVE.

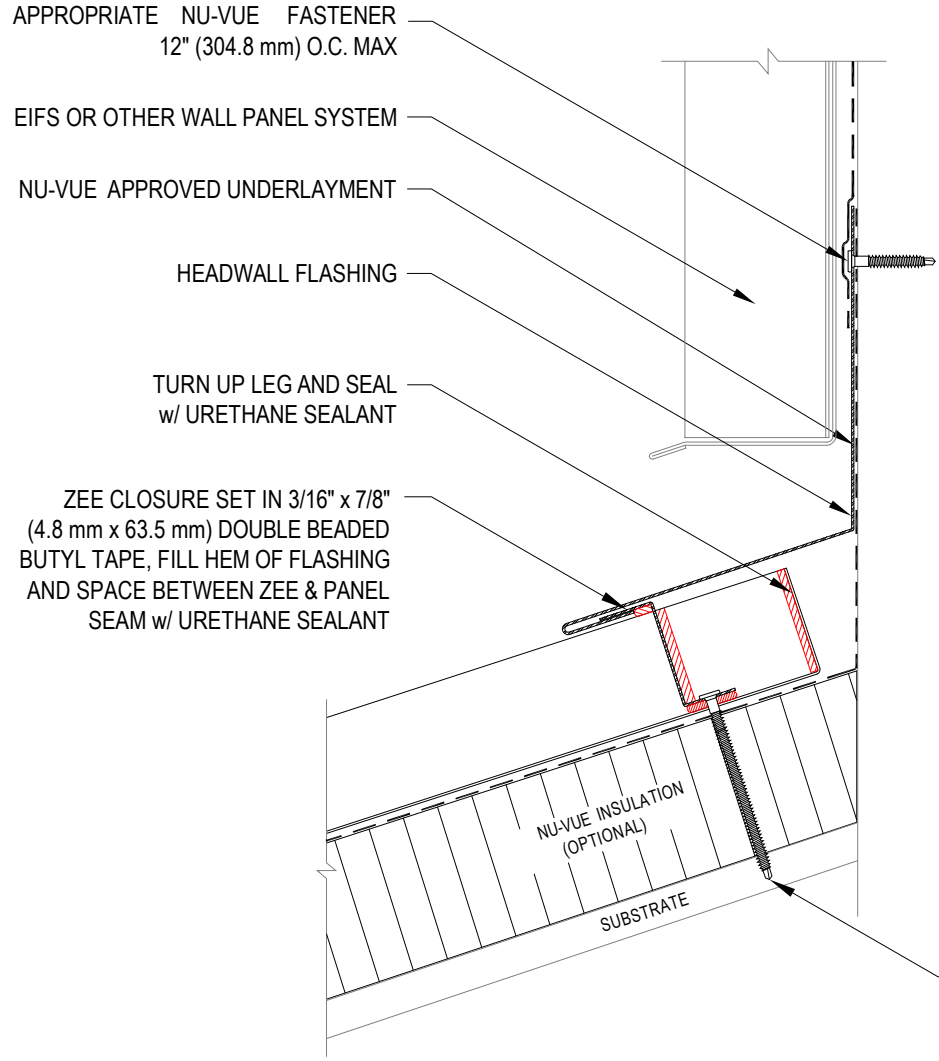


[www.nuvuepr.com](http://www.nuvuepr.com)

Job Name:	
Date:	
Contractor:	
Notes:	

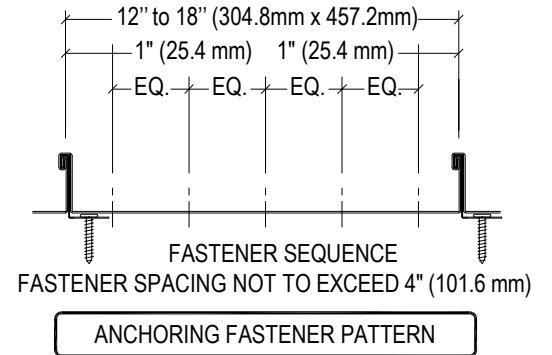
# ISSUE / REVISION FIXED HEADWALL WITH Z-CLOSURE AT EIFS OR WALL PANEL

ACCEPTABLE SYSTEMS: NV 1.5" & NV 2" STANDING SEAM



NOTES:

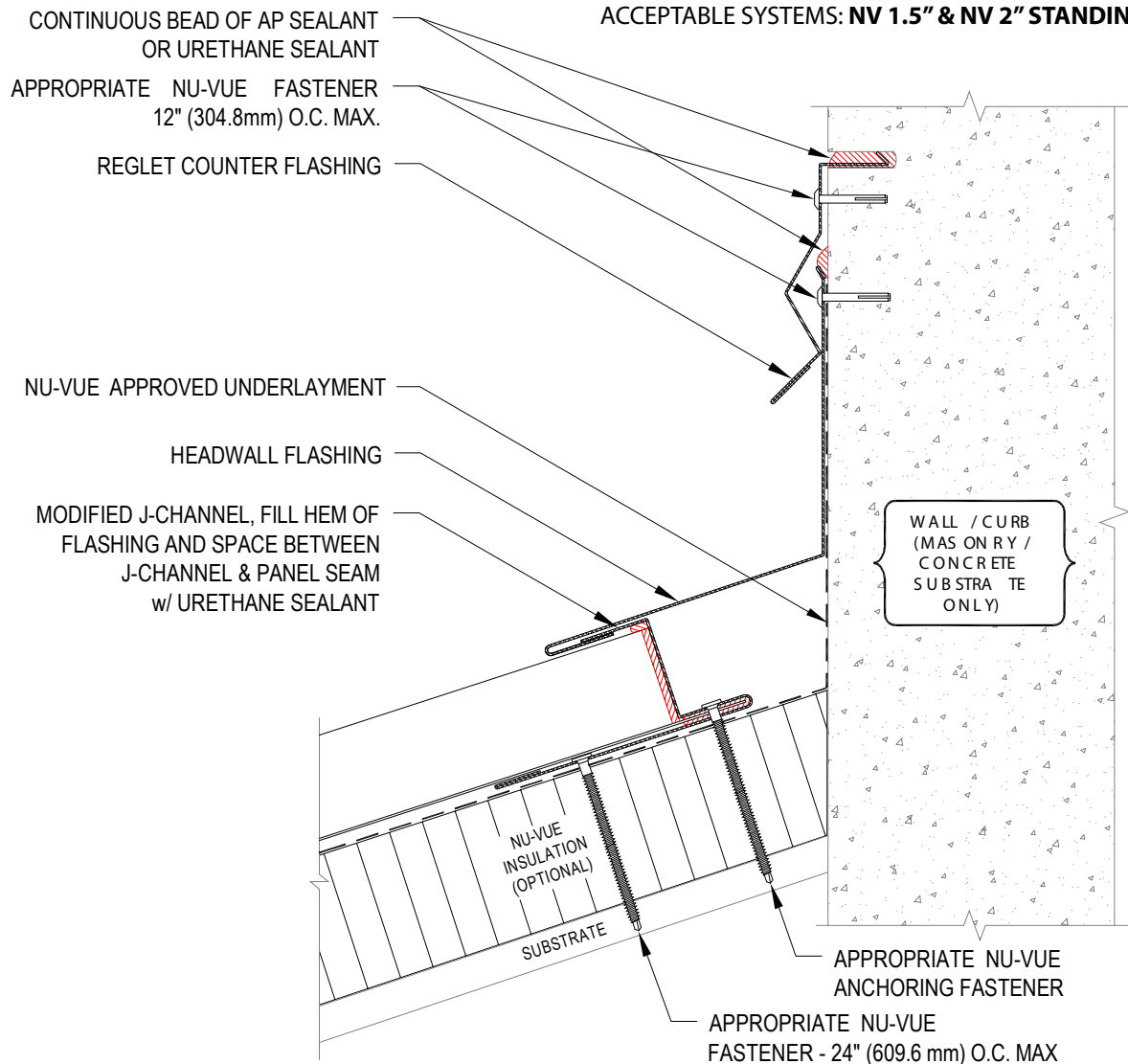
1. REFER TO NU-VUE WEBSITE FOR MOST CURRENT INFORMATION.
2. REFER TO TECHNICAL INFORMATION SHEETS FOR FASCIA SIZES, ACCESSORIES, AND FINISHES AVAILABLE.
3. REFER TO THE NU-VUE TECHNICAL DATABASE FOR FASTENER/METAL COMPATIBILITY.
4. FIELD NOTCH ZEE CLOSURES. SET ZEE CLOSURE IN BUTYL TAPE AND SEAL AROUND REMAINING EDGES OF ZEE WITH URETHANE SEALANT.
5. APPLICATION DETAILS ARE FOR ILLUSTRATION PURPOSES ONLY AND MAY NOT BE APPROPRIATE FOR ALL BUILDING DESIGNS AND CONDITIONS.



Job Name:	
Date:	
Contractor:	
Notes:	

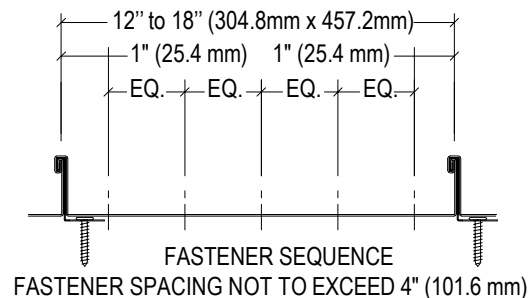
# FIXED HEADWALL WITH MODIFIED J-CHANNEL AT REGLET

ACCEPTABLE SYSTEMS: NV 1.5" & NV 2" STANDING SEAM



**NOTES:**

1. REFER TO NU-VUE WEBSITE FOR MOST CURRENT INFORMATION.
2. REFER TO TECHNICAL INFORMATION SHEETS FOR FASCIA SIZES, ACCESSORIES, AND FINISHES AVAILABLE.
3. REFER TO THE NU-VUE TECHNICAL DATABASE FOR FASTENER/METAL COMPATIBILITY.
4. APPLICATION DETAILS ARE FOR ILLUSTRATION PURPOSES ONLY AND MAY NOT BE APPROPRIATE FOR ALL BUILDING DESIGNS AND CONDITIONS.



ANCHORING FASTENER PATTERN

MASONRY AND CONCRETE WALLS / CURBS MUST BE WATERPROOFED AND MAINTAINED IN ORDER FOR ANY SURFACE MOUNTED TERMINATION TO BE EFFECTIVE.



Job Name:	
Date:	
Contractor:	
Notes:	

## FIXED HEADWALL W/ MOD. J-CHANNEL AT EIFS OR WALL PANEL

ACCEPTABLE SYSTEMS: NV 1.5" & NV 2" STANDING SEAM

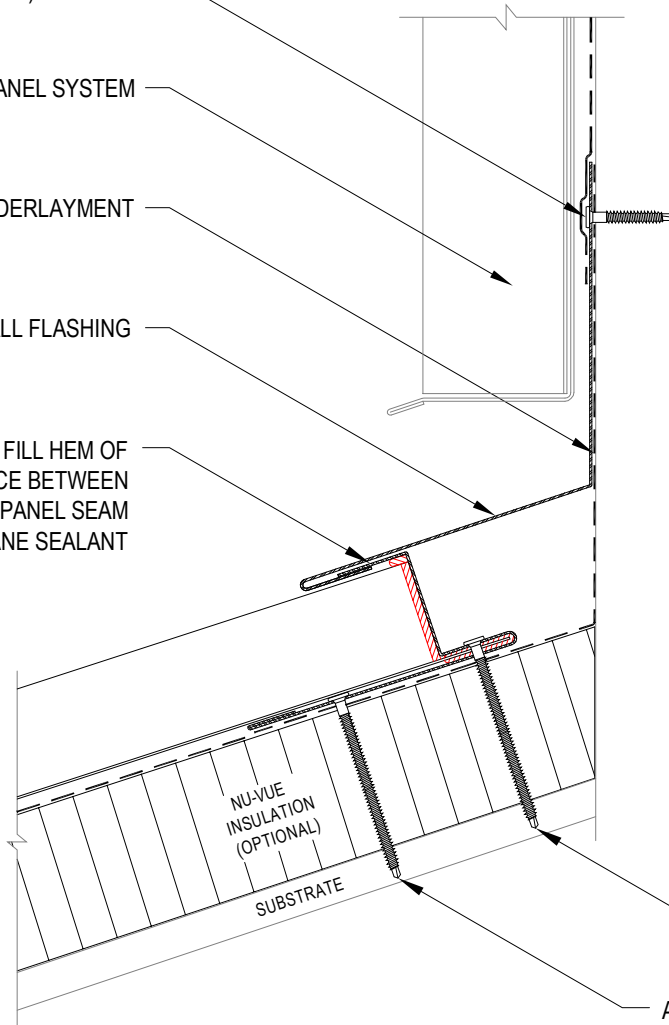
APPROPRIATE NU-VUE FASTENER  
12" (304.8mm) O.C. MAX.

EIFS OR OTHER WALL PANEL SYSTEM

NU-VUE APPROVED UNDERLAYMENT

HEADWALL FLASHING

MODIFIED J-CHANNEL, FILL HEM OF  
FLASHING AND SPACE BETWEEN  
J-CHANNEL & PANEL SEAM  
w/ URETHANE SEALANT

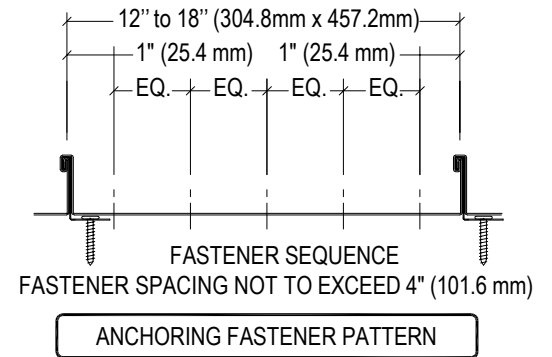


APPROPRIATE NU-VUE ANCHORING FASTENER

APPROPRIATE NU-VUE FASTENER - 24" (609.6 mm) O.C. MAX

**NOTES:**

1. REFER TO NU-VUE WEBSITE FOR MOST CURRENT INFORMATION.
2. REFER TO TECHNICAL INFORMATION SHEETS FOR FASCIA SIZES, ACCESSORIES, AND FINISHES AVAILABLE.
3. REFER TO THE NU-VUE TECHNICAL DATABASE FOR FASTENER/METAL COMPATIBILITY.
4. APPLICATION DETAILS ARE FOR ILLUSTRATION PURPOSES ONLY AND MAY NOT BE APPROPRIATE FOR ALL BUILDING DESIGNS AND CONDITIONS.



Job Name:	
Date:	
Contractor:	
Notes:	